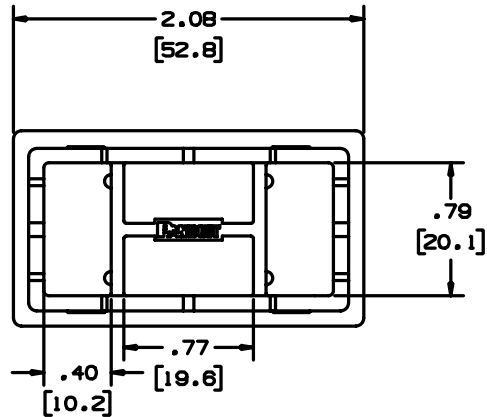


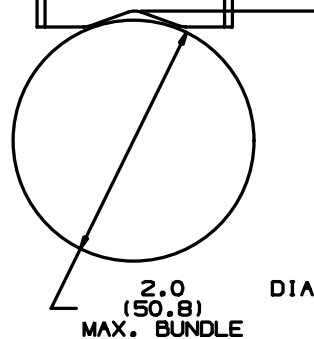
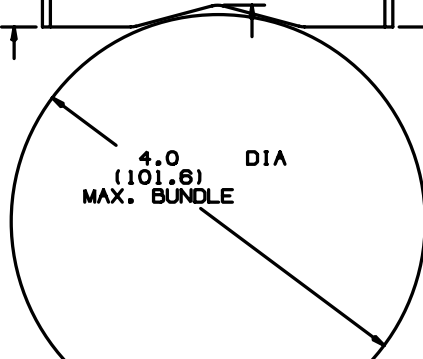
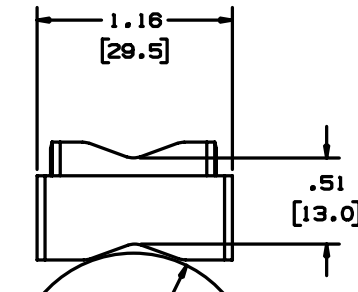
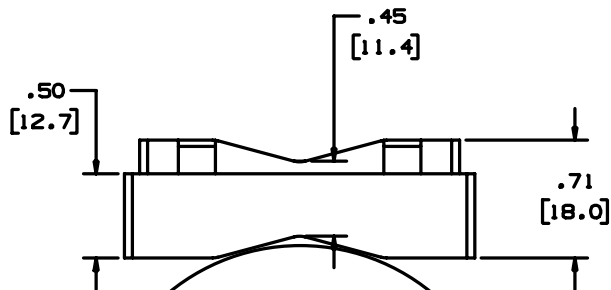
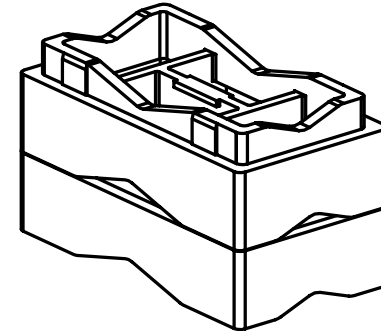
THIS COPY IS PROVIDED ON A RESTRICTED BASIS AND IS NOT TO BE USED IN ANY WAY DETRIMENTAL TO THE INTERESTS OF PANDUIT CORP.

PANDUIT PART NUMBER*	WEIGHT lbs/100 pcs (g)/100 pcs	USE WITH ANY OF THESE CABLE TIE CROSS-SECTIONS
SACS 50	1.41 (642)	LH, H, EH, MLT



NOTES:

- SEE CURRENT PRICE SHEET FOR PART NUMBER SUFFIX DESIGNATION FOR PACKAGE SIZE.
- CABLE TIE CROSS-SECTION CODE:
LH = LIGHT HEAVY; H = HEAVY; EH = EXTRA HEAVY
- MAXIMUM BANDING OR TIE WIDTH 0.75
- MATERIAL: POLYPROPYLENE, WEATHER RESISTANT
COLOR: BLACK



DIMENSIONS IN BRACKETS ARE METRIC [mm]

CAD FILENAME/LAYERS G00239EX_PB_SACS50_00



CORP. TINLEY PARK, ILLINOIS

SACS 50
STACKABLE CABLE SPACER

UNLESS OTHERWISE SPECIFIED,
DIMENSIONAL TOLERANCES ARE:
(.X) ±0.05 (1.3) (.XXX) ±0.010 (0.25)
(.XX) ±0.02 (0.5) ANGLES ± 5°

UNLESS OTHERWISE SPECIFIED,
ALL DIMENSIONS ARE GIVEN
IN INCHES, THIRD ANGLE PROJECTION.

DRAWN BY JAD

MAT'L:

SCALE NONE

DATE 1/22/04

SEE NOTE 4

DRAWING NO.

G00239EX

SIZE
A

R	1/22/04	JAD		INITIAL RELEASE	G00239EX	R			
REV	DATE	BY	CHK	DESCRIPTION	ECN	R	CUST	SUP	